

3MP HD Fixed Dual-light Bullet Network Camera

IPC-B213-APF40W



Key Features

Optics

- Day/night functionality
- Smart IR, up to 50m (164ft) IR distance
- Optical glass window with higher light transmittance
- IR anti-reflection window to increase the infrared transmittance
- 2D/3D DNR (Digital Noise Reduction)
- Built-in Mic

Compression

- Ultra 265, H.265, H.264
- ROI (Region of Interest)

Network

- ONVIF Conformance

Structure

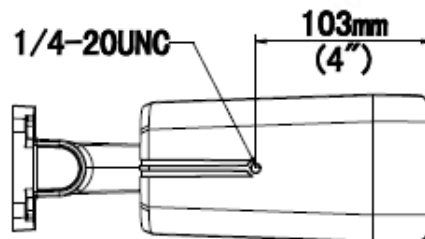
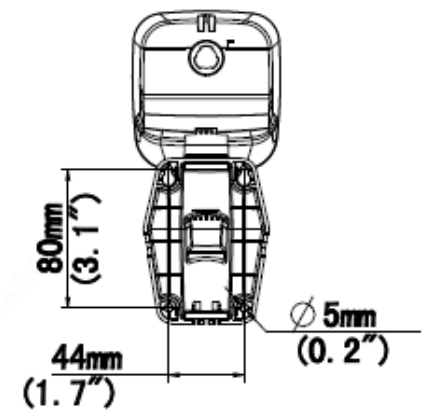
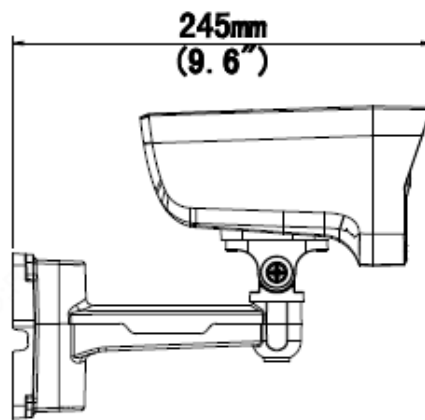
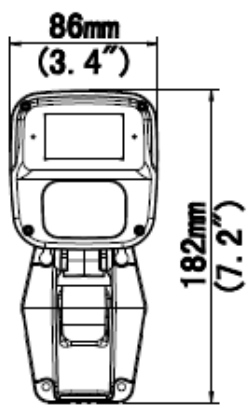
- Wide temperature range: -30°C ~ 60°C (-22°F ~ 140°F)
- Wide voltage range of $\pm 25\%$
- IP67

Specifications

IPC-B213-APF40W					
Camera					
Sensor	1/2.8", progressive scan, CMOS				
Shutter	Auto/Manual, 1 ~ 1/100000s				
Minimum Illumination	Colour: 0.01Lux (F2.0, AGC ON) 0Lux with IR on				
WDR	DWDR				
Lens					
Lens Type	4.0mm @2.0, Fixed-focal				
Lens Mount	M12				
Angle of View (H)	89.0°				
Angle of View (V)	46.9°				
Angle of View (O)	93.8°				
DORI					
	Lens (mm)	Detect (m)	Observe (m)	Recognize (m)	Identify (m)
DORI Distance	4.0	73.5	29.4	14.7	7.3
Illuminator					
IR Range	Up to 50m (164ft) IR range				
White Light Range	Up to 30m (98ft) White light range				
Wavelength	850nm				
IR On/Off Control	Auto/Manual				
Video					
Video Compression	Ultra 265, H.265, H.264				
H.264 code profile	Baseline profile, Main profile, High profile				
Frame Rate	Main Stream: 3MP (2304*1296), Max 25fps;1080P (1920*1080), Max 30fps; 720P (1280*720), Max 30fps; Sub Stream: 4CIF (704*576), Max 30fps; 640*360,Max 30fps; 2CIF(704*288), Max 30fps; CIF(352*288), Max 30fps;				
Video Bit Rate	128 Kbps~6 Mbps				
U-code	Supported				
9:16 Corridor Mode	N/A				
OSD	Up to 4 OSDs				
Privacy Mask	Up to 4 areas				
ROI	Up to 8 areas				
Motion Detection	Up to 4 areas				
Image					
White Balance	Auto/Outdoor/Fine Tune/Sodium Lamp/Locked/Auto2				
Image Setting	Image rotation, brightness, saturation, contrast, sharpness, gain adjustable by web browser				
Digital Noise Reduction	2D/3D DNR				
Smart IR	Supported				
Flip	Normal/Vertical/Horizontal/180°				
Dewarping	N/A				
HLC	Supported				

BLC	Supported
Defog	Digital Defog
Events	
Basic Detection	motion detection, human body detection, audio detection
General Function	Watermark, IP address filtering, access policy, ARP protection, RTSP authentication, user authentication, HTTP authentication
Audio	
Audio Compression	G.711
Suppression	Supported
Sampling Rate	8KHZ
Network	
Protocols	IPv4, IGMP, ICMP, TCP, UDP, DHCP, RTP, RTSP, RTCP, DNS, DDNS, NTP, UPnP, HTTP, RTMP
Compatible Integration	ONVIF (Profile S, Profile T), API
User/Host	Up to 32 users. 2 user levels: administrator and common user
Client	Uniarch Client Uniarch APP
Web Browser	Plug-in required live view: IE9+, Chrome 41 and below, Firefox 52 and below
	Plug-in free live view: Chrome 57.0+, Firefox 58.0+, Edge 16+
Interface	
Network	1 * RJ45 10M/100M Base-TX Ethernet
Built-in Mic	Supported
General	
Power	DC 12V±25%, PoE (IEEE 802.3af)
	Power consumption: Max 6.0W
Power Interface	Ø 5.5mm coaxial power plug
Dimensions (L × W × H)	170 × 86 × 93mm (6.7" × 3.4" × 3.7") without Accessories
Weight	0.34kg (0.75lb) without Accessories
Working Environment	-30°C ~ 60°C (-22°F ~ 140°F), Humidity: ≤95% RH (non-condensing)
Surge Protection	4KV
Reset Button	N/A
Ingress Protection	Ingress protection: IP67

Dimensions



www.uniview.com/uniarch

©2021 Zhejiang Uniview Technologies Co., Ltd. All rights reserved.

*Product specifications and availability are subject to change without notice.