

# NVR-S2-P Series



## Key Features

- Support Ultra 265/H.265/H.264 video formats
- 8/16-channel input
- Plug & Play with 8/16 independent PoE network interfaces
- Support mainstream cameras of ONVIF conformance(Profile S, Profile G, Profile T ) and RTSP protocols
- Support HDMI and VGA simultaneous output
- Up to 8 Megapixels resolution recording
- 2 SATA HDDs, up to 10TB for each HDD
- Support cloud upgrade

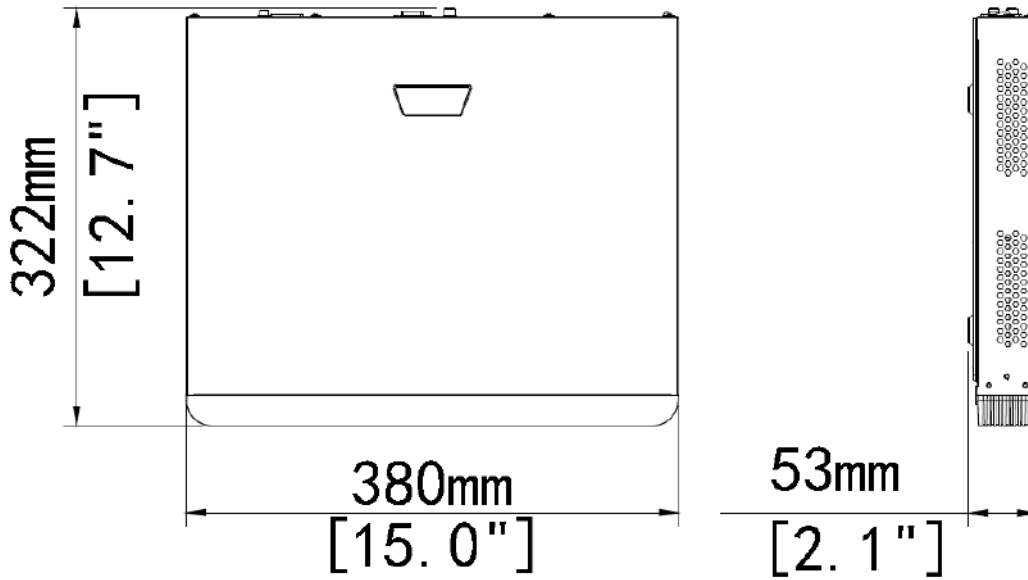
## Specifications

Model	NVR-208S2-P8	NVR-216S2-P16
<b>Video/Audio Input</b>		
IP Video Input	8-ch	16-ch
Two-way Audio Input	1-ch, RCA	
<b>Network</b>		
Incoming Bandwidth	160Mbps	
Outgoing Bandwidth	96Mbps	
Remote Users	128	
Protocols	TCP/IP, P2P, UPnP, DHCP, HTTP, HTTPS, DNS, DDNS, SMTP	
<b>Video/Audio Output</b>		
HDMI/VGA Output	VGA: 1024X768@60, 1280X720@60, 1280X1024@60, 1600X1200@60, 1920X1080@50, 1920X1080@60 HDMI: 4K(3840x2160@30), 1024X768@60, 1280X720@60, 1280X1024@60, 1600X1200@60, 1920X1080@50,	

	1920X1080@60	
Recording Resolution	8MP/6MP/5MP/4MP/3MP/1080p/960p/720p/D1/2CIF/CIF	
Audio Output	1-ch, RCA	
Audio Compression	G.711A, G.711U	
Synchronous Playback	8-ch	16-ch
Live View Display	1/4/6/8/9	1/4/6/8/9/16
Corridor Mode Screen	3/4/5/7/9	3/4/5/7/9/10/12/16
<b>Decoding</b>		
Decoding format	Ultra 265/H.265/H.264	
Live view/Playback	8MP/6MP/5MP/4MP/3MP/1080p/960p/720p/D1/2CIF/CIF	
Capability	1 x 4K@30, 2 x 4MP@30, 3 x 3MP@25, 4 x 1080P@30, 8 x 720P@30	1 x 4K@30, 2 x 4MP@30, 3 x 3MP@25, 4 x 1080P@30, 8 x 720P@30, 16 x D1
<b>Hard Disk</b>		
SATA	2 SATA interfaces	
Capacity	up to 10TB for each disk	
<b>Smart</b>		
VCA Detection by Camera	Intrusion Detection, Cross Line Detection, Enter Area, Leave Area	
VCA Search	Behavior Search	
Smart Intrusion Prevention (SIP) by Camera	4-ch	
<b>General Alarm</b>		
General Alarm	Motion, Human Body Detection, Video Loss, Alarm Input	
Alert Alarm	IP Conflict, Network Disconnected, Disk Offline, Disk Abnormal, Illegal Access	
<b>External Interface</b>		
Network Interface	1 RJ-45 10M/100M/1000M self-adaptive Ethernet Interface	
USB Interface	Front panel: 1 x USB2.0, Rear panel: 1 x USB2.0	
RS232	NA	
RS485	NA	
Alarm In	4-ch	
Alarm Out	1-ch	
<b>PoE</b>		
Interface	8 independent 100Mbps PoE network interfaces	16 independent 100Mbps PoE network interfaces
Max Power	Max 30W for single port Max 130W in total	Max 30W for single port Max 240W in total
Supported Standard	IEEE 802.3af/at	
<b>General</b>		
Power Supply	220V AC Power Consumption: ≤9 W (without HDD)	
Working Environment	-10°C~+ 55°C (+14°F~+131°F), Humidity ≤ 90% RH (non-condensing)	
Dimensions (W×D×H)	380mm ×322mm × 53mm (15.0" × 12.7" ×2.1")	
Weight (without HDD)	≤2.4kg (5.29lb)	
<b>Certification</b>		
Certification	CE	

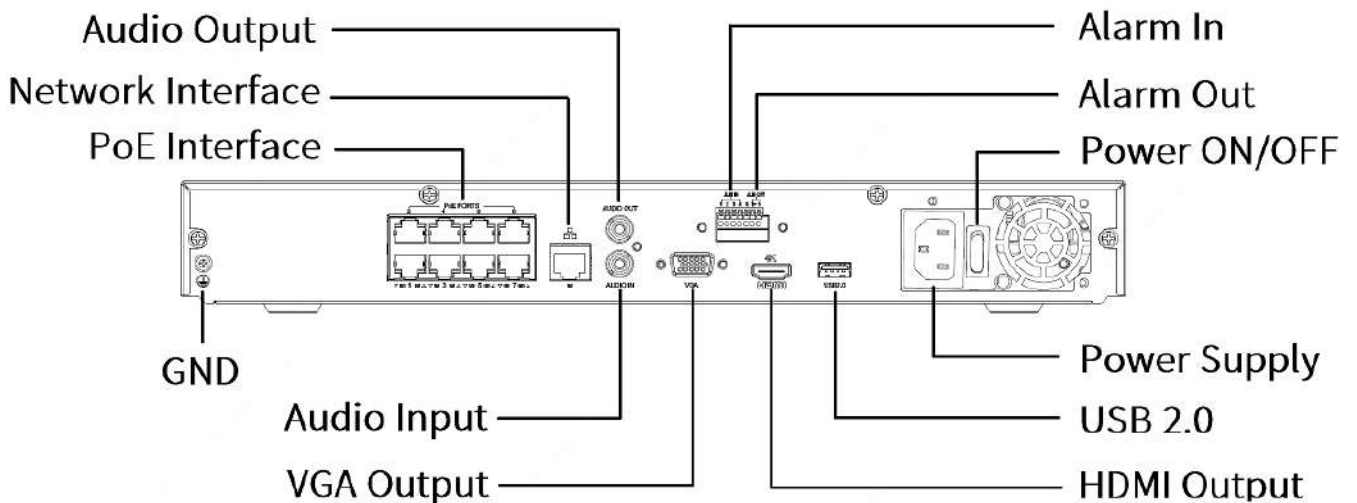
FCC  
RoHS  
WEEE

### Dimensions



### Rear Panel

Take **NVR-208S2-P8** for example



[www.uniview.com/uniarch](http://www.uniview.com/uniarch)

©2022 Zhejiang Uniview Technologies Co., Ltd. All rights reserved.

\*Product specifications and availability are subject to change without notice.